

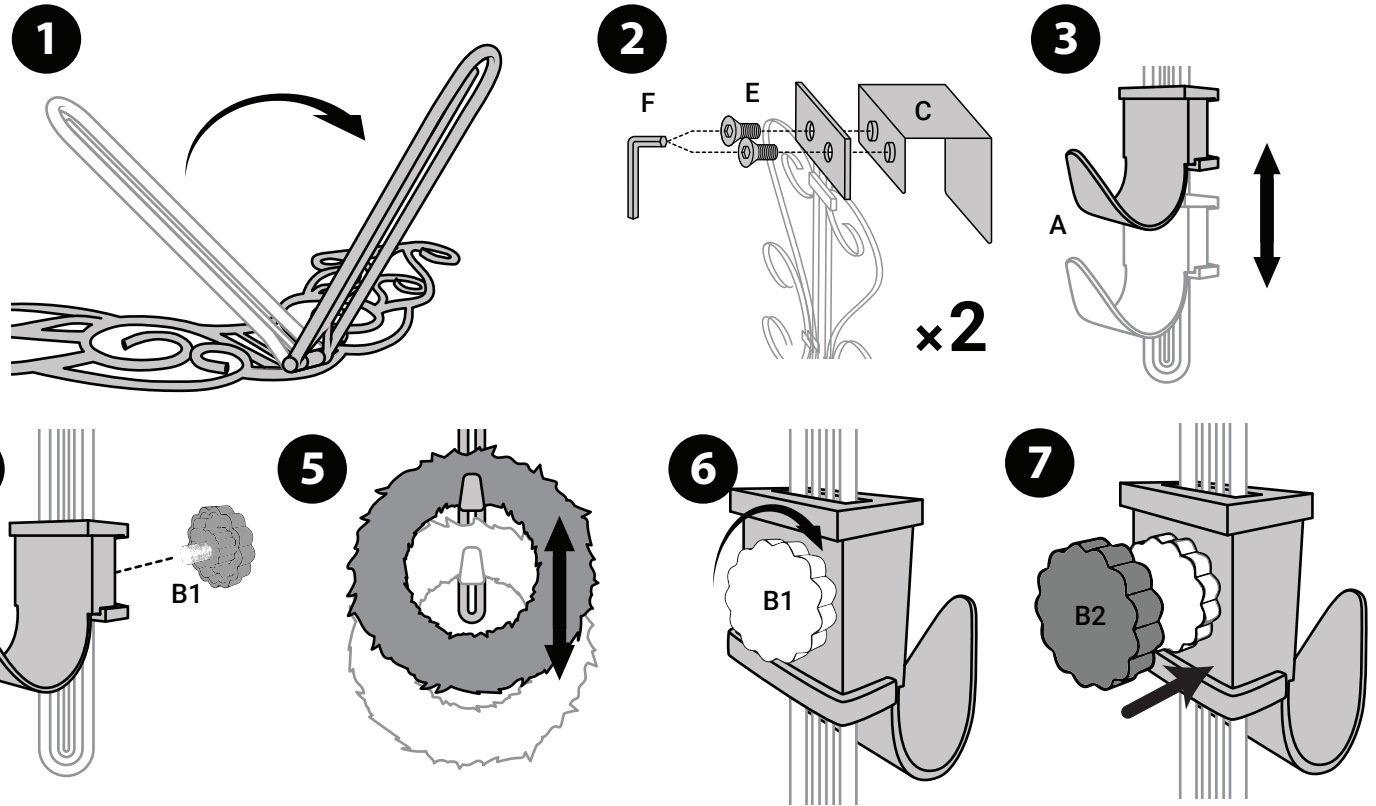


www.VillageLighting.com

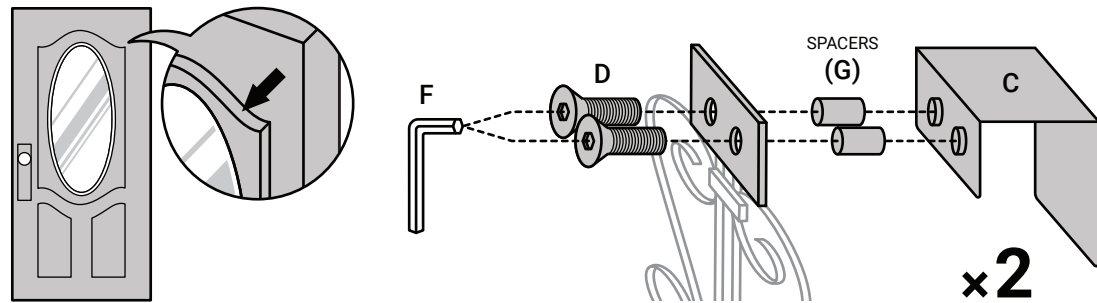
# DECORATIVE WREATH HANGER

MODEL #: V-10909 SERIES

## STANDARD ASSEMBLY (WITHOUT BRACKET SPACERS)



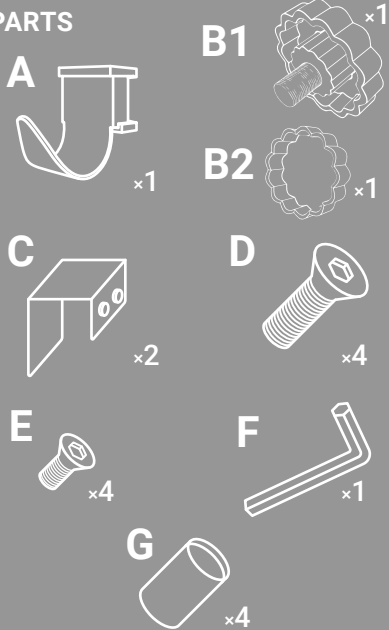
## FOR DOORS WITH RAISED GLASS OR OTHER FEATURES



**DOOR THICKER THAN 2 INCHES?  
NEED THINNER BRACKETS TO FIT BETWEEN THE DOOR AND DOOR JAMB?**

CONTACT US! We will send you a new bracket set immediately.  
VillageLighting.com/help | support@villagelighting.com | 801-972-5119

### PARTS



SCAN HERE  
FOR VIDEOS  
& PRODUCT  
SUPPORT

