



ADJUSTABLE MANTLE HANGER™

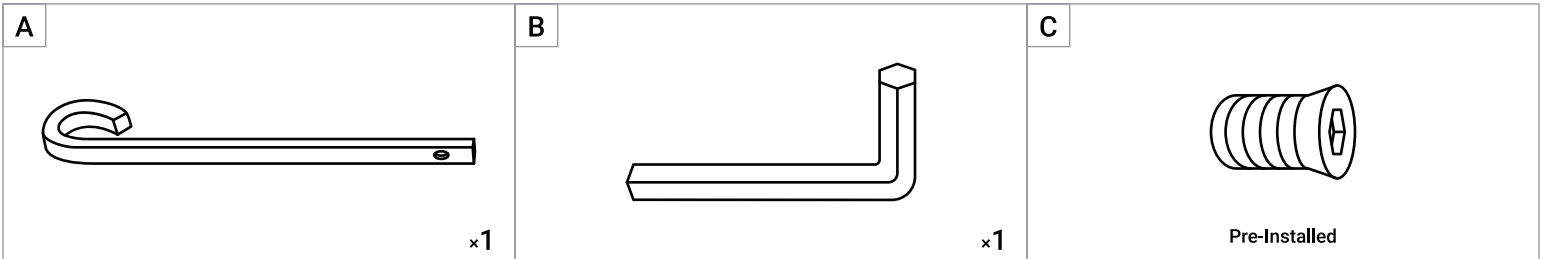
MODEL #: V-20530 | PATENT PENDING

IMPORTANT, RETAIN FOR FUTURE REFERENCE: READ CAREFULLY

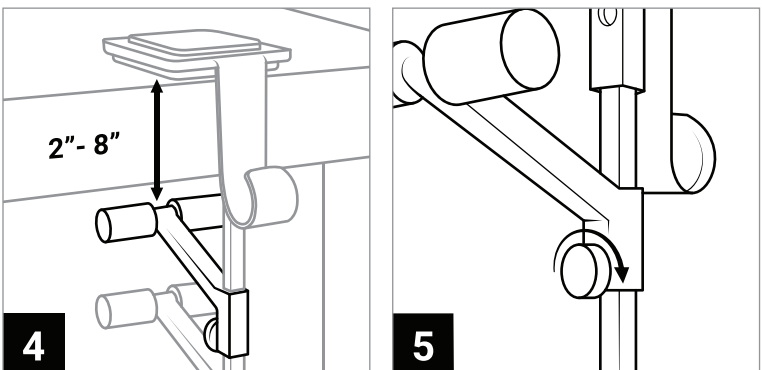
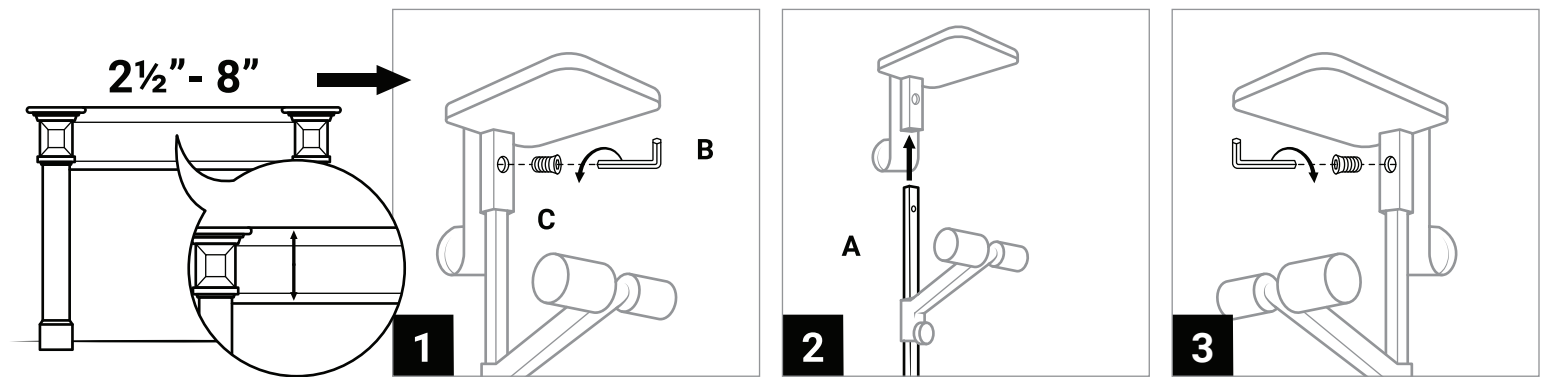
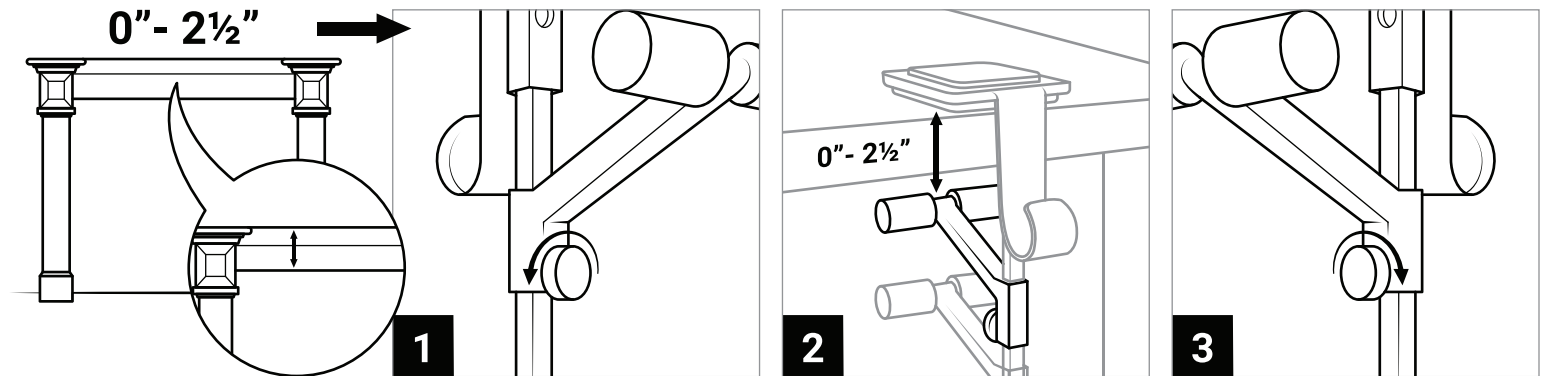
For assistance with assembly, replacement parts or to activate your warranty:
www.VillageLighting.com | Support@VillageLighting.com

2019 All Rights Reserved © Property of Village Lighting Co. | Intended for indoor use

PLEASE LAY OUT ALL PARTS AND READ INSTRUCTIONS PRIOR TO ASSEMBLY



ASSEMBLY INSTRUCTIONS



! WARNING

DO NOT pull in a lateral (side to side or front) direction from your mantle. The Mantle Hanger™

